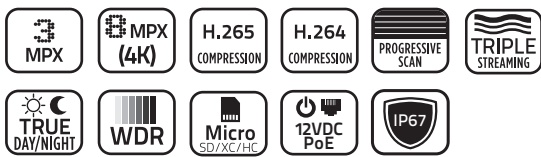


3MPx and 8MPx (4K) IP Turret IR Cameras

Series 5 IP Open Standards Cameras



ONVIF® | S G



OVERVIEW

TruVision® IP Megapixel Turret IR Cameras by Interlogix bring high-definition images to the mass video surveillance market. With 3MPx or 8MPx (4K) resolution options, these cameras provide flexibility for a wide variety of applications.

The IP Megapixel Turret IR Cameras are designed to adhere to ONVIF® Profile G and S open communication standards and support a CGI command set for simple integration into IP systems.

Cross line, intrusion, object, unattended baggage, and face detection features provide additional flexibility when monitoring key areas of a facility. These features allow you to be alerted when key exceptions are triggered, reducing the amount of time and effort required when responding to alarms.

STANDARD FEATURES

Video

- 3MPx or 8MPx (4K) resolution options
- H.265/H.264/MJPEG (on substream) compression with triple-streaming capability
- 4mm fixed lens
- ONVIF Profile G and S open communications standards compatibility

Video Enhancement

- Hallway view, ROI (Region of Interest) on main and substream
- WDR 120 dB
- True D/N functionality and infrared illuminators
- Up to 98 ft. (30m) IR range - with on/off settings

Video Alarms

- Integrated motion and tamper detection, privacy masking
- Detection for cross line, intrusion, object, unattended baggage, face detection

Edge Recording

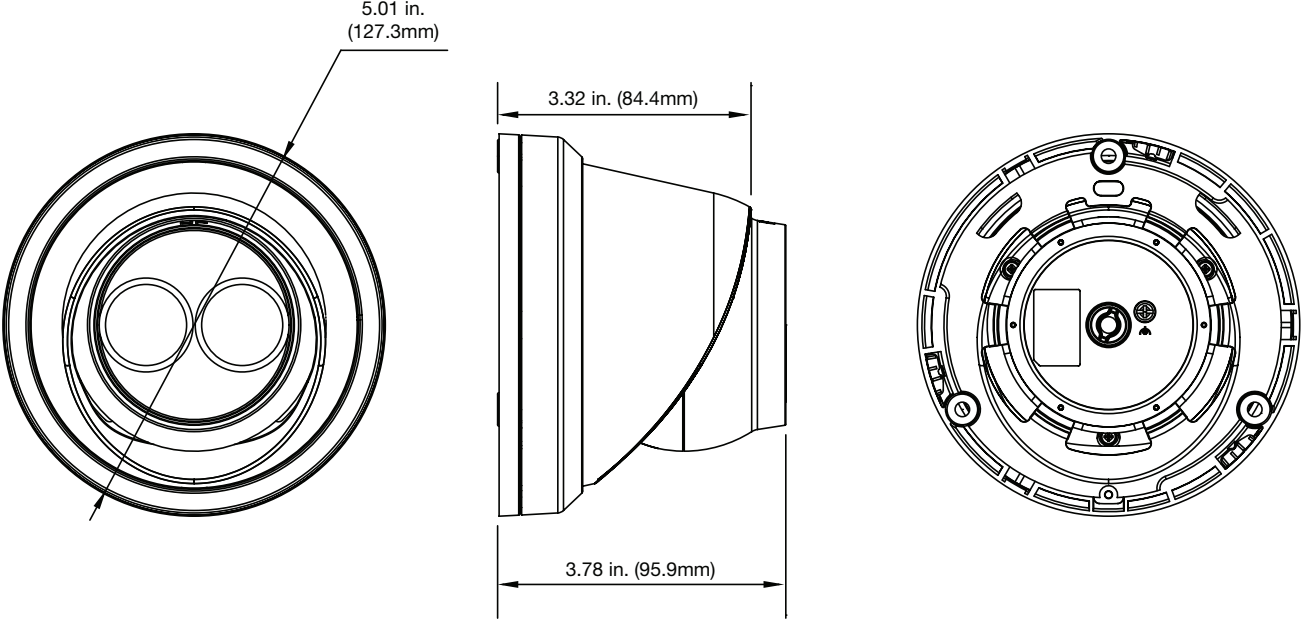
- Edge recording on up to 128GB micro SD/SDHC/SDXC card for video playback (Card not included)

Installation and Environment

- IP67 Environmental rating
- TruVision Device Manager software to access newly added system devices
- Mounting adapter plate

Dimensional Diagrams

TVT-5501, TVT-5502 Turret Camera



Specifications

PART NO.		TVT-5501	TVT-5502	
				
Housing		Gray		
Camera	Sensor	1/2.8" Progressive Scan CMOS		
	Resolution	3MPx	8MPx (4K)	
	Day/Night	IR cut filter		
	IP Compression/Standard	H.265 / H.264 / MJPEG		
	Main Stream	H.265 / H.264		
	Substream	H.265 / H.264 / MJPEG		
	3rd Stream	H.265 / H.264		
	Multiple Streaming	Triple Stream		
	Maximum Resolution	2048 x 1536 @ 25/30fps	3840 x 2160 @ 20fps	
	Main Steam Real-Time Resolution	2048 x 1536, 1920 x 1080, 1280 x 720 @ 25/30fps		2560 x 1920, 2560 x 1440, 1920 x 1080, 1280 x 720 @ 25/30fps
	Substream Real-Time Resolution	640 x 360, 352 x 288 @ 25fps; 640 x 360, 352 x 240 @ 30fps		
	3rd Stream Real-Time Resolution	1280 x 720 @ 25/30fps		
	Video Bit Rate	32 Kbps - 16 Mbps		
	Wide Dynamic Range	WDR (120 dB)		
	Digital Noise Reduction	3D-NR		
	Minimum Illumination	0.009 lux @ f1.6, AGC On; 0 lux with IR	0.028 lux @ f2.0, AGC On; 0 lux with IR	
	Digital S/N Ratio	50 dB (AGC Off)		
Auto Exposure (shutter)	1/3s~1/100,000s			
Lens	4mm @ f1.6, horizontal field of view: 78.7°	4mm @ f2.0, horizontal field of view: 79°		
Focus	Fixed			
IR Range	Up to 98 ft. (30m)			
Video Output	N/A			
Video Connector	N/A			
Network	Ethernet Port	1 RJ45 10/100 Mbps Auto-negotiate		
	Network Protocols	TCP/IP, HTTP, DHCP, DNS, DDNS, ezDDNS, RTP, RTSP, PPPoE, SMTP, NTP, SNMP, HTTPS, FTP, 802.1x, Qos, IPv6		
Local Storage	Media	Micro SD/SDHC/SDXC slot		
	Capacity	128GB (card not included)		
Audio	Input	N/A		
	Output	N/A		
	Audio bit rate (protocol)	N/A		
Camera Alarms	Intelligence	Motion Detection, Tamper Detection, Privacy Mask, Intrusion Detection (up to 4), Cross Line (up to 4), Unattended Baggage, Object Removal		
	Input/Output	N/A		
Interoperability	Standard	ONVIF Profile (G,S), PSIA, CGI, ISAPI		
Display	Display Mode	Flipped horizontally (up/down), vertically (right/left) or centered, Hallway view, ROI (Region of Interest) on main and substream		
	On Screen Display (OSD)	Text overlay		
Electrical/Mechanical	Voltage Input	12VDC, PoE (IEEE 802.3-af)		
	Power Consumption	6W	7W	
	Auxiliary Output	N/A		
	Current	0.56A	0.65A	
	Dimensions	5.01 x 3.78 in. (127.3 x 95.9mm)		
	Weight	1.37 lbs. (620g)		
Environmental	Storage Temperature	-22°F~-140°F (-30°C~60°C)		
	Operating Temperature	-22°F~-140°F (-30°C~60°C), Humidity <95% (non-condensing)		
	Environmental Rating	IP67		
	Vandal Rating	N/A		
Regulation	Compliance	EMC USA, EMC Europe, UL/cUL, WEEE, LVD, RoHS, REACH, China RoHS, RCM		

3MPx and 8MPx (4K) IP Turret IR Cameras

Series 5 IP Open Standards Cameras



Ordering Information

TVT-5501	TruVision® 3MPx, H.265/H.264, Low Light IP Fixed Lens Turret Camera, 4mm, True D/N, WDR, 30m IR, Micro SD/SDHC/SDXC Slot, PoE (802.3-af)/12VDC, IP67
TVT-5502	TruVision 8MPx/4K, H.265/H.264, IP Fixed Lens Turret Camera, 4mm, True D/N, WDR, 30m IR, Micro SD/SDHC/SDXC Slot, PoE (802.3-af)/12VDC, IP67

Accessories

TVD-BB3	TruVision Dome Back Box
TVD-BB3A	TruVision Dome Angled Back Box
TVD-CB3	TruVision Dome 3-inch Cup Base (use w/TVD-IP, TVD-SNB, TVD-PPB)
TVD-SNB	TruVision Dome Swan Neck Bracket (use w/TVD-CB3 Cup Base)
TVD-SNB-BB	TruVision TVD-SNB Back Box, 4-directional Conduit, Indoor & Outdoor
TVD-M2-WM	TruVision Dome Wall Mount (use w/DR-RWM-AD Adapter)
TVD-M-CMA	TruVision Corner Mount Adapter (use w/TVD-SNB Swan Neck, TVD-M2-WM Wall Mount)
TVD-M-PMA	TruVision Pole Mount Adapter (use w/TVD-SNB Swan Neck, TVD-M2-WM Wall Mount)
TVD-PPB	TruVision Pendant Mount Bracket (use w/TVD-CB3)

Interlogix
National Sales Enquiries
1300 361 479

Ground Floor
10 Ferntree Place
Notting Hill, Victoria 3168
T: +61 3 239 1200
W: www.interlogix.com.au



interlogix.com.au

Specifications subject to change without notice.

© 2017 United Technologies Corporation.
All rights reserved.