

Indoor & Outdoor Motorised Lens Dome Camera

960H Premium Resolution Camera



Overview

The TruVision® 960H Premium Resolution Indoor and Outdoor Motorized Lens Dome Camera offers high-resolution video and multiple features that make it well suited to a variety of applications. Utilizing the latest CCD and DSP technologies, the camera delivers 960H (700TVL) resolution and 0.01 lux sensitivity for outstanding performance. The camera provides a defog feature which will improve video images in poor weather conditions such as smog, fog or smoke. Smart 3DNR technology will improve images in low light scenarios.

The motorized varifocal lens with IR cut filter provides true day/night surveillance which makes the TruVision dome camera ideal for both indoor and outdoor applications. Its IP66 vandal-resistant enclosure, integrated heater, and IK-10 rating offer additional durability and reliable value.

Standard Features

- 960H (700TVL) resolution
- True day/night
- Supports defog, motion detection, privacy masks, smart zoom and digital image stabilization
- DWDR (Digital Wide Dynamic Range)
- Smart 3DNR for enhanced video images, especially in low light conditions
- Motorized varifocal lens: 2.8 to 11 mm @ f1.4
- OSD menus for easy camera configuration onsite
- 3-axis gimbal bracket
- IP66 rating and onboard heater for weather-resistant performance
- Vandal-resistant, rugged enclosure
- 12VDC or 24VAC power input
- Adapter plate included for electrical gang boxes
- IK-10 protection rating
- Optional TruVision Coaxial Controller for remote focus and zoom adjustment

Indoor & Outdoor Motorised Lens Dome Camera

Interlogix
National Sales Enquiries
1300 361 479

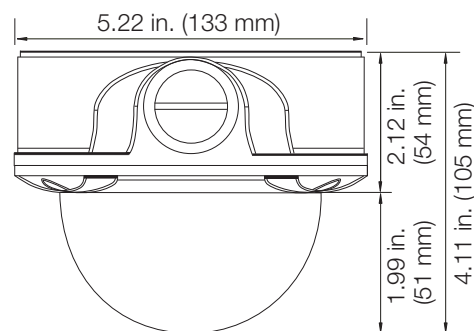
271-273 Wellington Road
Mulgrave Vic 3170
T +61 3 9239 1200
F +61 3 9239 1298

960H Premium Resolution Camera

Specifications

Pickup Device	1/3" EXview HAD II	
Total Pixels (H x V)	PAL: 1028(H) x 596(V)	
Effective Pixels	PAL: 976(H) x 582(V)	
Resolution	700TVL	
Synchronization System	Internal synchronization	
IR Cut Filter	yes	
Scanning System	2:1 Interlace	
S/N ratio	>48dB (AGC off)	
Electronic Shutter	PAL: 1/50 to 1/100,000 second	
Min. Illumination	0.1 lux (f1.2, AGC x1)	
WDR	DWDR	
DNR	Smart 3DNR	
Video Output	1.0 Vp-p / 75 ohm composite	
White Balance	ATW /AWB/AWC-SET/MANUAL	
Lens Type	2.8~11mm auto focus motorized lens	
Features Supported	Defog, motion detection, privacy masks, digital zoom, smart zoom, digital image stabilization, freeze, mirror	
OSD	OSD button & optional coaxial controller	
Mechanical	3-Axis gimbal	
Protocol	RS-485	
Power Source	24VAC / 12VDC	
Current	24VAC / 220mA	Max: 408mA (Heater on)
	12VDC / 200mA	Max: 330mA (Heater on)
Power Consumption	24VAC / 2.2 W	Max: 8.4W (Heater on)
	12VDC / 2.4 W	Max: 3.96W (Heater on)
Operating Temperature	-30°C to 65°C (Integrated heater for environments below -22°F/30°C)	
Operating Temperature (Cold Start)	-10°C	
Storage Temperature	-30°C to 70°C	
Dimension	133 x 105 mm	
Weight	1130 g	
Ratings	IP66, IK-10	

Dimensional Diagram



Ordering Information

TVD-2101	TruVision Outdoor Dome, PAL, 700TVL, 2.8-11mm VF Motorized Lens, Auto Iris, True D/N, DWDR, Heater, IP66, IK-10, 12VDC/24VAC
-----------------	--

Accessories

MPP168	Power Supply, 12VDC, 1Amp
TVS-C100	Coaxial Controller
TVD-SNB	TruVision Dome Swan Neck Bracket (use w/TVD-CB3, TVD-CB2)
TVD-PPB	TruVision Dome Pendant-Mount Bracket (use w/TVD-CB3, TVD-CB2)
TVD-CB3	TruVision Dome 3" Cup Base (use w/UVD and TVD-6 Series Analog Domes, Indoor TVD-IP; TVD-SNB; TVD-PPB)
TVD-M-PMA	TruVision Pole Mount Adapter (use w/TVD-SNB or TVC-IP Bullet Cameras)
TVD-M2-FM	TruVision Indoor Flush Mount (use w/Open Standard Series Indoor TVD-IP Domes)
TVD-M-CMA	TruVision Corner Mount Adaptor for TVD-SNB (or TVC-IP Bullet Cameras)
TVD-M2-PNDT	TruVision Dome Pendant Mount (use w/TVD-CB3, TVD-CB2)

Specifications subject to change without notice.

Copyright © 2014 UTC Fire & Security Australia Pty Ltd.
All rights reserved.

UTC Fire & Security Australia Pty Ltd trading as Interlogix is a UTC Building and Industrial Systems company.

TRU-DOME-DS-140203-1

