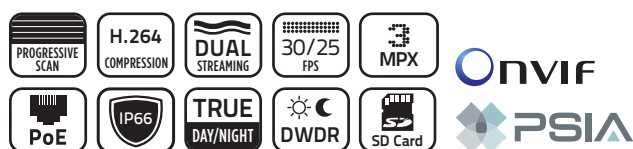


IP Open Standards Cameras

1.3 and 3MPx IP Dome and Bullet IR Cameras



Overview

TruVision® IP Megapixel Open Standards dome and bullet cameras bring state-of-the-art, high-definition images to the mass video surveillance market. Designed to adhere to PSIA and ONVIF open communication standards, these cameras also support a CGI command set for simple integration into any IP system. 1.3 and 3MPx resolution options provide the flexibility for a wide variety of applications.

An integrated browser and micro SD memory card storage capabilities (dome models) simplify remote, live monitoring/playback of edge-recorded video and audio. Memory card recording protects data in the event of network disruptions.

Standard Features

- 1.3 and 3MPx resolution options
- Designed to PSIA and ONVIF open standards
- Select models feature DWDR and/or real-time video streaming up to 1080p resolution to capture every detail
- H.264 compression technology with dual-streaming capability accommodates multiple settings
- Dome models feature edge recording up to 64GB micro SD card for video playback (card not included)
- Select models offer true day/night functionality and infrared illuminators for capturing images in various lighting scenarios
- Integrated motion detection and privacy masking
- IP66 rating
- Bullet models feature an innovative cable management and bracketing system
- Included TruVision Device Finder program provides fast and easy access to newly added system devices

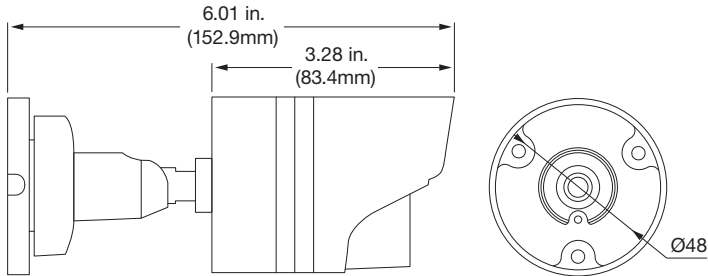


Application

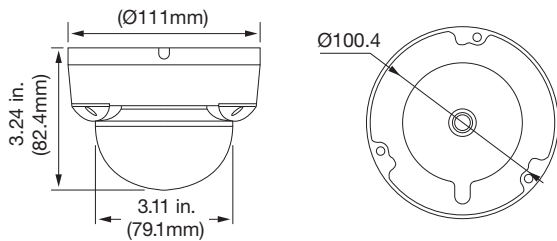
TruVision® IP Megapixel cameras are specifically designed for applications that require high-quality IP images. When paired with IP devices, these cameras provide ideal surveillance for environments such as retail, banking, education, airports or gaming, where detailed image capture is critical for effectively monitoring people and transactions.

Dimensional Diagrams

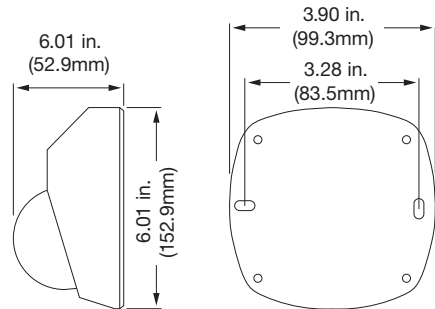
TVB-1101, TVB-1102



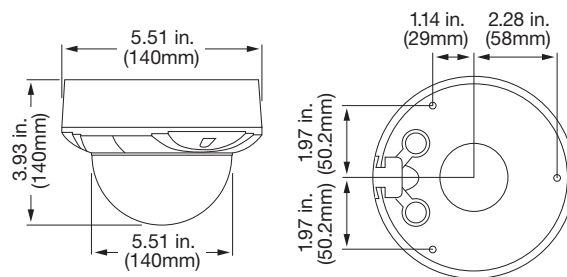
TVD-1101, TVD-1102



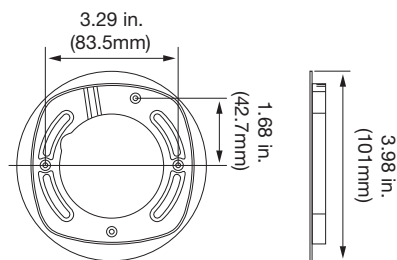
TVW-1101, TVW-1102



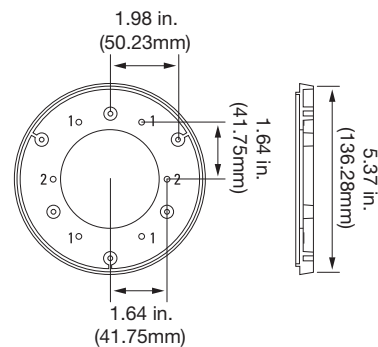
TVD-1103, TVD-1104







Mounting Plate



Mounting Plate



Specifications

PART NO.	TVB-1101 TVB-1102	TWV-1101 TWV-1102	TVD-1101 TVD-1102	TVD-1103 TVD-1104	
Description					
Camera	Sensor Size	1/3"			
	SD/MPx	1.3MPx/3MPx			
	Sensor Scan	Progressive Scan			
	Sensor Type	CMOS			
	IP Compression/Standard	H.264/MJPEG			
	Maximum Resolution (@ FPS)	1280x960 (25fps/30fps) / 2048x1536 (12.5fps/15fps)			
	Maximum Real-Time Resolution	1280 x 960/1920 x 1080			
	HD 720p	720P/1080P			
	Composite Output	No	No	BNC	No
	S/N Ratio	50dB			
	Electronic Shutter	1/3s ~1/100,000s			
	Certification	UL, CE, FCC, C-tick, REACH, RoHS, HALT, WEEE			
Lighting Performance	Wide Dynamic Range	DWDR			
	WDR in dB	72dB			
	Digital Noise Reduction	3D			
	Day/Night	IR cut filter with auto switch	IR cut filter with auto switch	Fixed IR cut filter	IR cut filter with auto switch
	Motorized IR Cut Filter	Yes	Yes	No	Yes
	Color Sensitivity	0.01Lux @ (F1.2, AGC On)			
	B/W Sensitivity	0 Lux with IR	0 Lux with IR	0.01Lux @ (F1.2, AGC On)	0 Lux with IR
	IR Sensitivity	0 Lux with IR	0 Lux with IR	NA	0 Lux with IR
	IR Range	82 ft. (25 m)	33 ft. (10m)	NA	49 ft. (15 m)
	IR Wavelength	850nm	850nm	NA	850nm
Housing	Camera Type	Bullet Camera	Low Profile Dome Camera	Dome Camera	Dome Camera
	Ratings	IP66	IP66 and IK08	NA	IP66 and IK10
	Outdoor	Yes	Yes	No	Yes
	Vandal Resistant	No	Yes	No	Yes
Lens	Control Type	Fixed	Fixed	Fixed	VF Manual
	Focal Length	6 mm @ F2.0	2.8 mm @ F2.0	2.8 mm @ F2.0	2.8 – 12 mm @ F1.4
	Autoiris	NA	NA	NA	Yes
	Varifocal	No	No	No	Yes
Power	Voltage Input	12VDC	12VDC	12VDC	12VDC
	Power Consumption	Max. 5W	Max. 5W	Max. 5W	Max. 5.5W
	PoE	PoE (802.3af)			
Network	Bit Rate	128 Kbps ~ 8 Mbps/16Mbps			
	ONVIF	Yes			
	PSIA	Yes			
	CGI	Yes			
Network Protocols	TCP/IP, HTTP, DHCP, DNS, DDNS, RTP, RTSP, PPPoE, SMTP, NTP, UPnP, SNMP, HTTPS, FTP, 802.1x, Qos, IPv4/IPv6				
Local Storage	Media	NA	Built-in Micro SD	NA	Built-in Micro SD
	Capacity	NA	64 GB	NA	64 GB
Others	Alarm	NA	NA	NA	1 input/1output
	Audio	NA	NA	NA	Bi-directional
Camera Analytics	Motion Detection	Yes			
	Privacy Masking	Yes			
Mechanical/Environmental	Dimensions	Ø 60 x 153 mm	99 x 97 x 53 mm	Ø 111 x 82 mm	Ø 140 x 100 mm
	Weight	373g	407g	370g	767g
	Operating Temp. (Cold Start)	-30°C – 60°C (-22°F – 140°F)			
	Adapter Mounting Plates	N/A	Converter pan included	N/A	Mounting plate included

IP Open Standards Cameras

1.3 and 3MPx IP Dome and Bullet IR Cameras

Interlogix
National Sales Enquiries
1300 361 479

Ground Floor
10 Ferntree Place
Notting Hill, Vic 3168
T +61 3 9239 1200
F +61 3 9239 1298

Ordering Information

TVB-1101	TruVision 1.3MPx, PAL, Outdoor IR Mini Bullet, True D/N, H.264, PSIA/ONVIF/CGI, 25m IR, 6mm @ F2.0, PoE/12VDC
TVB-1102	TruVision 3MPx, PAL, Outdoor IR Mini Bullet, True D/N, H.264, PSIA/ONVIF/CGI, 25m IR, 6mm @ F2.0, PoE/12VDC
TVD-1101	TruVision 1.3MPx, PAL, Indoor Mini Dome, Digital D/N, H.264, PSIA/ONVIF/CGI, 2.8mm @ F2.0, PoE/not support 12VDC
TVD-1102	TruVision 3MPx, PAL, Indoor Mini Dome, Digital D/N, H.264, PSIA/ONVIF/CGI, 2.8mm @ F2.0, PoE/not support 12VDC
TVD-1103	TruVision 1.3MPx, PAL, Outdoor IR Mini Dome, True D/N, H.264, PSIA/ONVIF/CGI, 15m IR, 2.8 to 12mm @ F1.4, PoE/12VDC
TVD-1104	TruVision 3MPx, PAL, Outdoor IR Mini Dome, True D/N, H.264, PSIA/ONVIF/CGI, 15m IR, 2.8 to 12mm @ F1.4, PoE/12VDC
TVW-1101	TruVision 1.3MPx, PAL, Outdoor IR Wedge Dome, True D/N, H.264, PSIA/ONVIF/CGI, 10m IR, 2.8mm @ F2.0, PoE/12VDC
TVW-1102	TruVision 3MPx, PAL, Outdoor IR Wedge Dome, True D/N, H.264, PSIA/ONVIF/CGI, 10m IR, 2.8mm @ F2.0, PoE/12VDC

Accessories

MPP168	Power Supply, 12VDC, 1Amp
TVD-SNB	TruVision Dome Swan Neck Bracket (use w/TVD-CB3, TVD-CB2)
TVD-PPB	TruVision Dome Pendant-Mount Bracket (use w/TVD-CB3, TVD-CB2)
TVD-CB5A	TruVision Integrated Dome 5" Cup Base (use w/TruVision IP Outdoor Dome Cameras; TVD-SNB; TVD-PPB)
TVD-CB3	TruVision Dome 3" Cup Base (use w/UVD and TVD-6 Series Analog Domes, Indoor TVD-IP; TVD-SNB; TVD-PPB)
TVD-CB2	TruVision Dome 2" Cup Base, Requires TVD-M2-WEBM (use w/TVD Low Profile Wedge Mini Domes; TVD-SNB; TVD-PNB)
TVD-M-PMA	TruVision Pole Mount Adapter (use w/TVD-SNB or TVC-IP Bullet Cameras)
TVD-M2-FM	TruVision Indoor Flush Mount (use w/Open Standard Series Indoor TVD-IP Domes)
TVD-M-CMA	TruVision Corner Mount Adaptor for TVD-SNB (or TVC-IP Bullet Cameras)
TVD-M2-PNDT	TruVision Dome Pendant Mount (use w/TVD-CB3, TVD-CB2)
TVD-M2-WM	TruVision Dome Wall Mount (use w/Open Standard Series Indoor TVD-IP Domes)
TVD-M2-WEBM	TruVision Wedge Mini Dome Electrical Box Adaptor

IP/Megapixel part number schema

TV	D	-	1	1	03
Device Type B=Bullet C=Camera D=Dome P=PTZ W=Wedge T=Turret	Format 1=IP PAL 2=Analogue PAL 3=IP NTSC 4=Analogue NTSC			Sequence/ Camera Specifics	Series 1=First

Specifications subject to change without notice.

Copyright © 2014 UTC Fire & Security Australia Pty Ltd.
All rights reserved.

UTC Fire & Security Australia Pty Ltd trading as Interlogix is a UTC Building and Industrial Systems company.

TRU-IPFIXED-DS-141208-2

