

# 960H Premium Resolution Series PTZ

High-res, 700TVL cameras



## Overview

The TruVision® 960H Premium Resolution Series PTZ camera utilizes the latest PTZ technology to provide powerful, cost-effective surveillance for retail, commercial and small business applications. With advanced features such as True day/night surveillance and Digital Wide Dynamic Range imaging, the 36X PTZ cameras provide optimal image quality in a variety of indoor or outdoor environments. Motion detection, auto tracking, privacy masking and electronic image stabilization provide additional value to any surveillance system.

The camera's 700TVL resolution and a 36X optical zoom (16X digital) work together to deliver crisp, clear images even at a distance. The camera is fully programmable, with up to 255 presets, 8 preset tours, and shadow tours for end-user customization and flexibility.

TruVision PTZ cameras install easily, with pendant, surface or flush mount options to meet almost any application need. The indoor/outdoor pendant mount is IP66-rated, with an onboard heater and fan to withstand the elements. Auto tracking enables the camera to automatically track an object or person's movement once its movement is detected in the camera's field of view. A 24-zone privacy mask feature allows the camera to block out sensitive areas such as fitting rooms or restricted areas.

## Standard Features

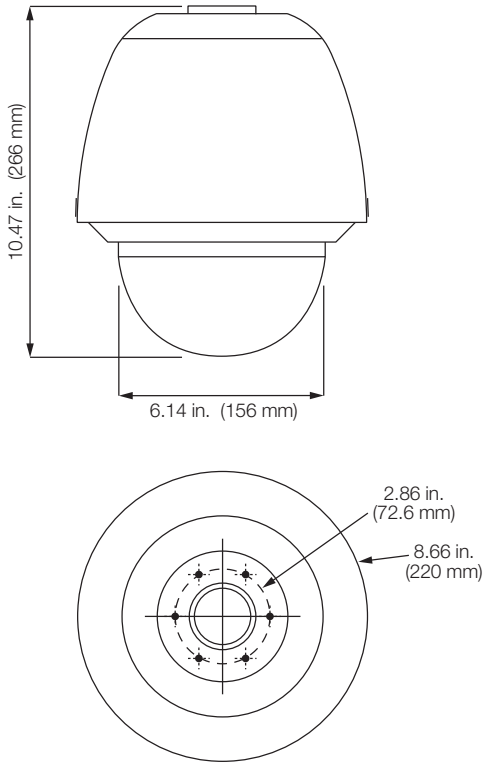
- 36X optical zoom, 16X digital
- 700TVL resolution
- 3DNR and DWDR (ATR-EX) functionality
- Supports Interlogix RS-485 protocol as well as select third-party protocols
- Indoor and outdoor versions available
- Wall mounts compatible with UltraView®/CyberDome™/Legend™ wall mount accessories
- Auto tracking, privacy masking, motion detection

## Specifications

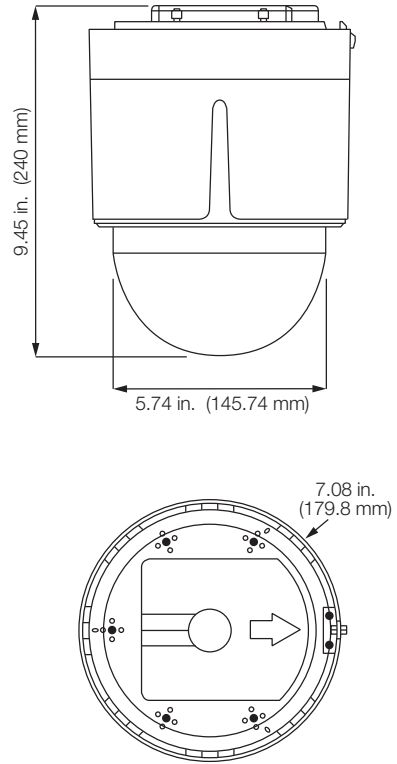
MODEL	TVP-2104	TVP-2105	TVP-2106
			
Pick Up Device	1/4 super HAD-II CCD		
Total Pixels	PAL: 1020 (H) x 596 (V)		
Effective Pixels	PAL: 976 (H) x 582 (V)		
Resolution	700TVL		
Optical Zoom	36X	36X	36X
Digital Zoom	16X		
Synchronization System	Internal synchronization		
Scanning System	Interlaced scan		
IR Cut Filter	Yes		
S/N Ratio	52dB (AGC off)		
Electronic Shutter	PAL: 1/3 to 1/100,000 second		
Min. Illumination	Color: 0.2 Lux @ (F1.4, AGC ON) B/W: 0.02 Lux @ (F1.4, AGC ON)		
WDR	DWDR (ATR-EX)		
DNR	3DNR		
Video Output	1.0 Vp-p/75 ohm composite		
OSD	Yes		
Intelligence	Auto-tracking, Presets, Preset Tours, Shadow Tours, Scheduling, Motion Detection, Zones, Alarms		
Privacy Mask	24 zones		
Alarm Output/Input	7 alarm inputs, 2 alarm outputs		
Communication	RS485		
Protocol	Interlogix- 485, Pelco D, Pelco-P		
Power Source	24VAC		
Current	Max. 1.5A	Max. 0.625A	Max. 0.625A
Power Consumption	Max. 35W	Max. 15W	Max. 15W
Operating Temperature	-30°C - 65°C	-20°C - 65°C	-20°C - 65°C
Cold Start Temperature	-30°C	-20°C	-20°C
Dimension (H x D)	266 x 220mm	240 x 179.8mm	251 x 206.3mm
Weight	7.7 lbs (3.5kg)	5.5 lbs (2.5kg)	6.6 lbs (3kg)
Weatherproof Rating	IP66	IP44	IP54
Mounting	Pendant Indoor/Outdoor	Surface Mount Indoor	Flush Mount Indoor
Heater/Fan	Yes	Fan Only	Fan Only

## Dimensional Diagrams

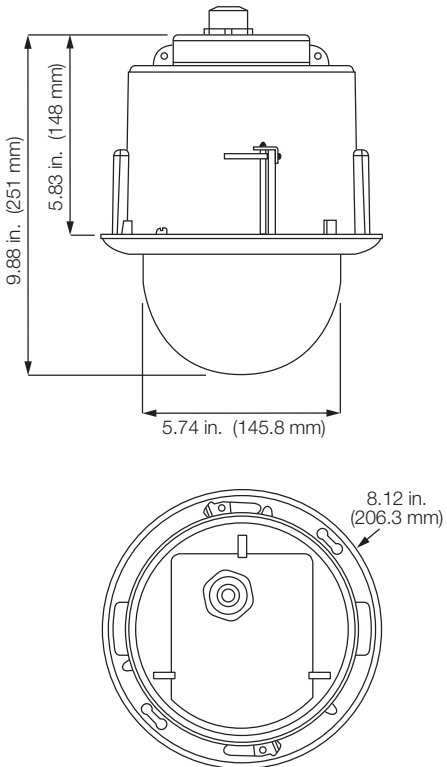
TVP-2104



TVP-2105



TVP-2106



# 960H Premium Resolution Series PTZ

High-res, 700TVL cameras

Interlogix  
National Sales Enquiries  
1300 361 479

271-273 Wellington Road  
Mulgrave Vic 3170  
T +61 3 9239 1200  
F +61 3 9239 1298

## Ordering Information

<b>TVP-2104</b>	TruVision Pan/Tilt/Zoom Dome, PAL, 700TVL, 36X, True D/N, DWDR, Pendant Outdoor, IP66, 24VAC
<b>TVP-2105</b>	TruVision Pan/Tilt/Zoom Dome, PAL, 700TVL, 36X, True D/N, DWDR, Surface Mount, IP44, 24VAC
<b>TVP-2106</b>	TruVision Pan/Tilt/Zoom Dome, PAL, 700TVL, 36X, True D/N, DWDR, Flush Mount, IP54, 24VAC

## Accessories

<b>1060050A</b>	Pendant Adapter for PTZ, 1 1/4 NPT, Rubber Boot, UTC Gray (Used with Outdoor Pendant)
<b>GEA-102</b>	Wall Mount, Cast Aluminum
<b>GEA-104</b>	Parapet Swing-Arm Mount
<b>GEA-105</b>	Corner-Mount Adapter
<b>GEA-106</b>	Pole-Mount Adapter
<b>GEA-107</b>	Roof-Mount Adapter

Specifications subject to change without notice.

Copyright © 2014 UTC Fire & Security Australia Pty Ltd.  
All rights reserved.

UTC Fire & Security Australia Pty Ltd trading as Interlogix is a UTC Building and Industrial Systems company.

TRU-PREMIUMPTZ-DS-140203-1

